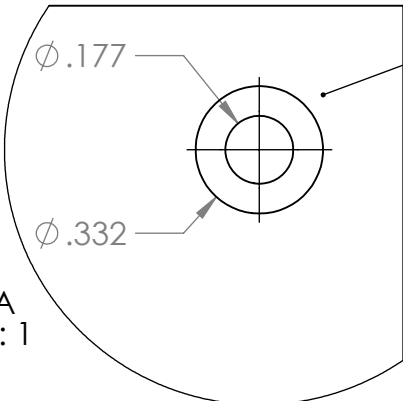


2

1

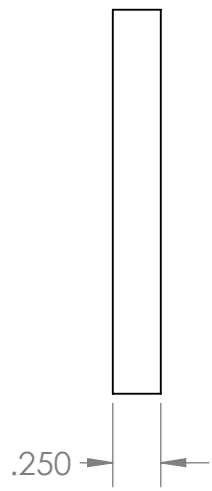
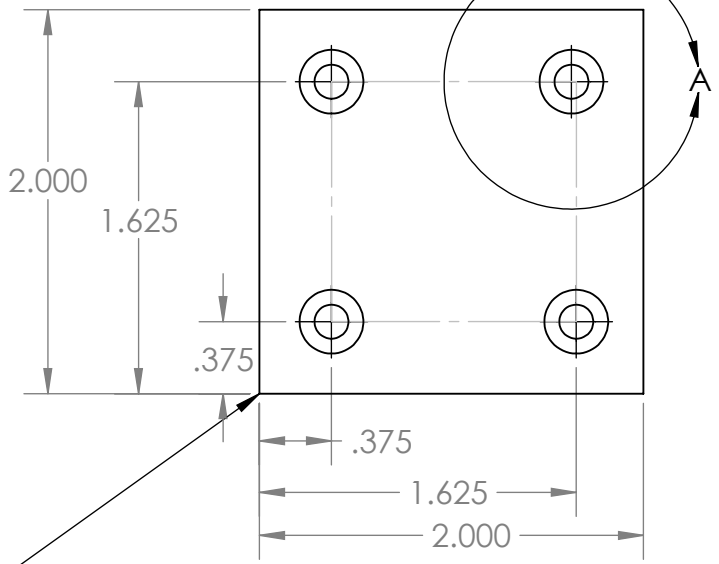
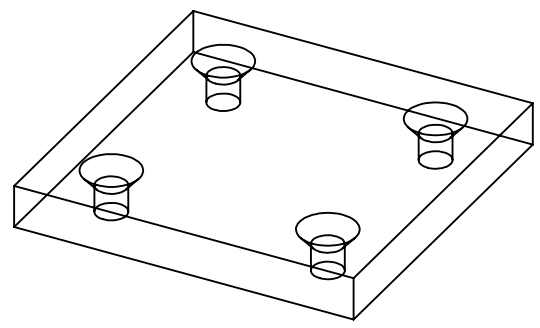
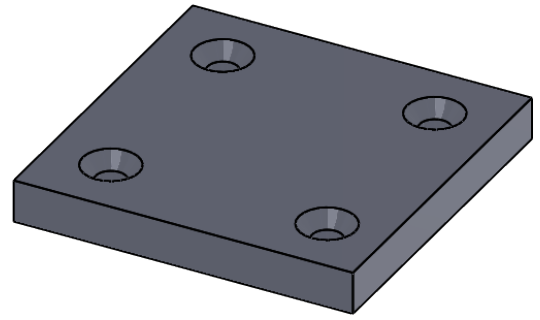
B

B



DRILL WITH #29 x 4,
Countersink (top only) x 4,
Tap 8-32 thru x 4

DETAIL A
SCALE 2 : 1



Measure from common datum
(Remember to do this when using height gage.)

A

A

PROPRIETARY AND CONFIDENTIAL
THE INFORMATION CONTAINED IN THIS DRAWING IS THE SOLE PROPERTY OF <INSERT COMPANY NAME HERE>. ANY REPRODUCTION IN PART OR AS A WHOLE WITHOUT THE WRITTEN PERMISSION OF <INSERT COMPANY NAME HERE> IS PROHIBITED.

		UNLESS OTHERWISE SPECIFIED:		NAME	DATE
		DIMENSIONS ARE IN INCHES	DRAWN		
		TOLERANCES:	CHECKED		
		FRACTIONAL ±	ENG APPR.		
		ANGULAR: MACH ± BEND ±	MFG APPR.		
		TWO PLACE DECIMAL ±	Q.A.		
		THREE PLACE DECIMAL ±	COMMENTS:		
		INTERPRET GEOMETRIC TOLERANCING PER:			
		MATERIAL			
		6061 Aluminum			
		FINISH			
NEXT ASSY	USED ON				
APPLICATION		DO NOT SCALE DRAWING			

Steven S. Saliterman

TITLE:
Plate Drill & Tap Exercise
2/11/2018

SIZE	DWG. NO.	REV
A		
SCALE: 1:1	WEIGHT:	SHEET 1 OF 1

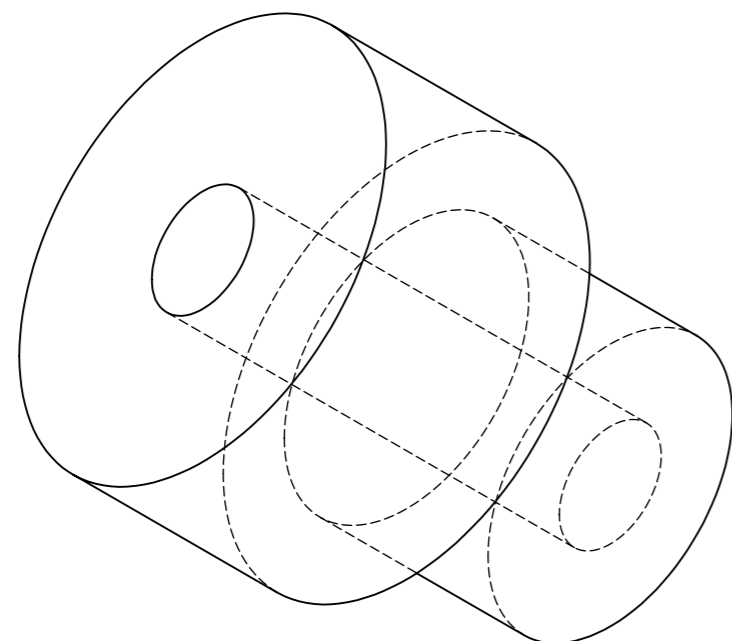
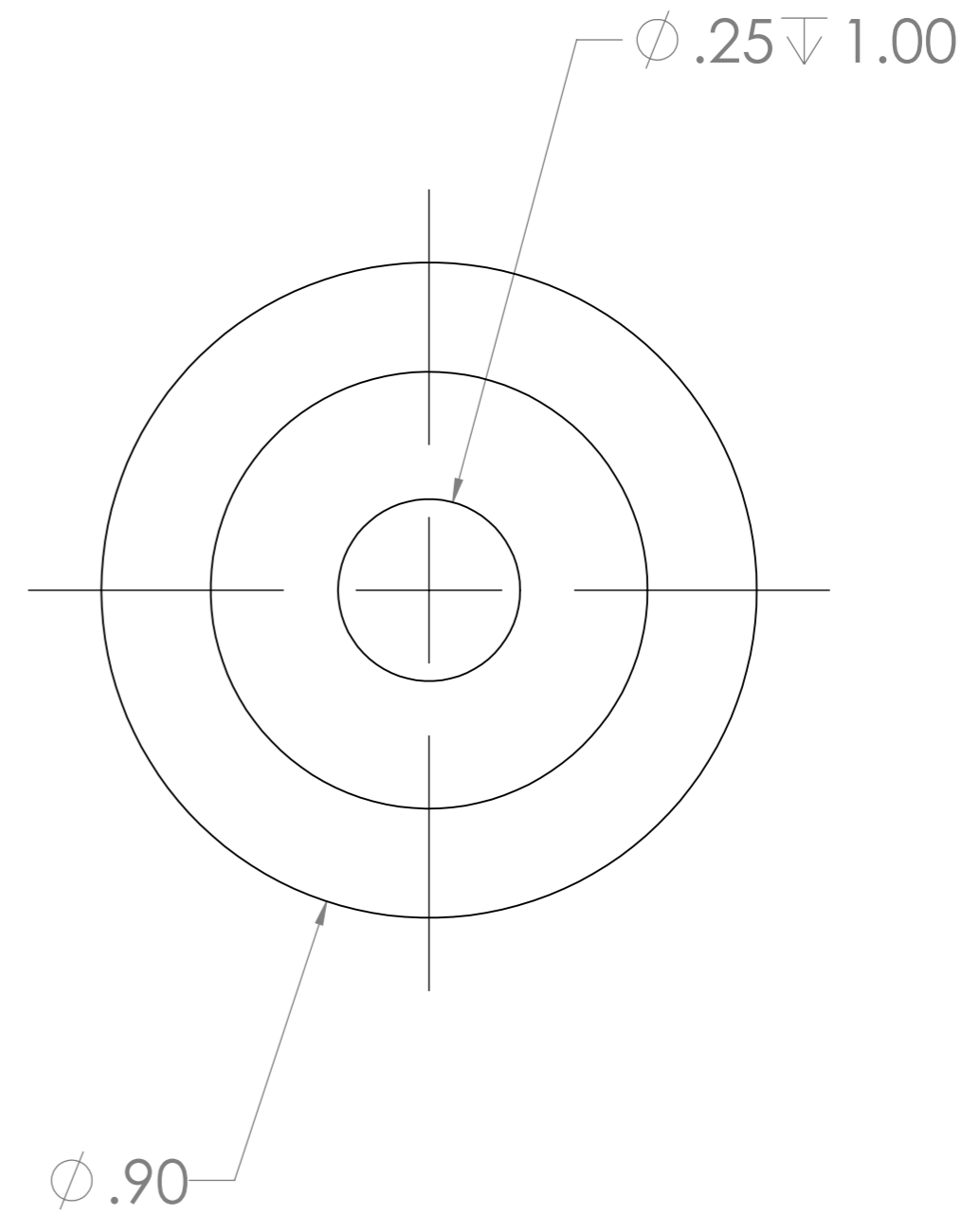
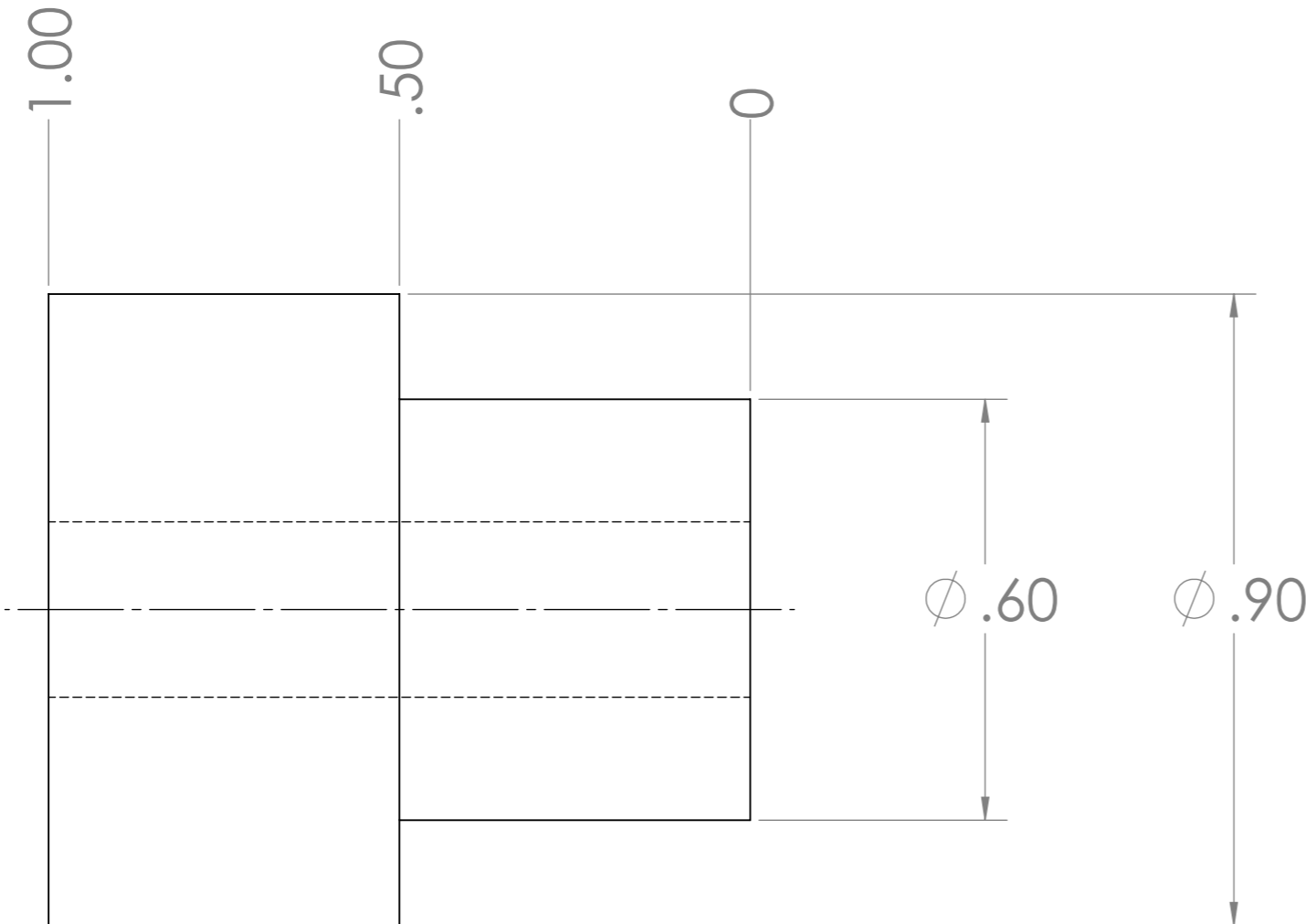
2

1

8 7 6 5 4 3 2 1

F

F



D

D

C

C

B

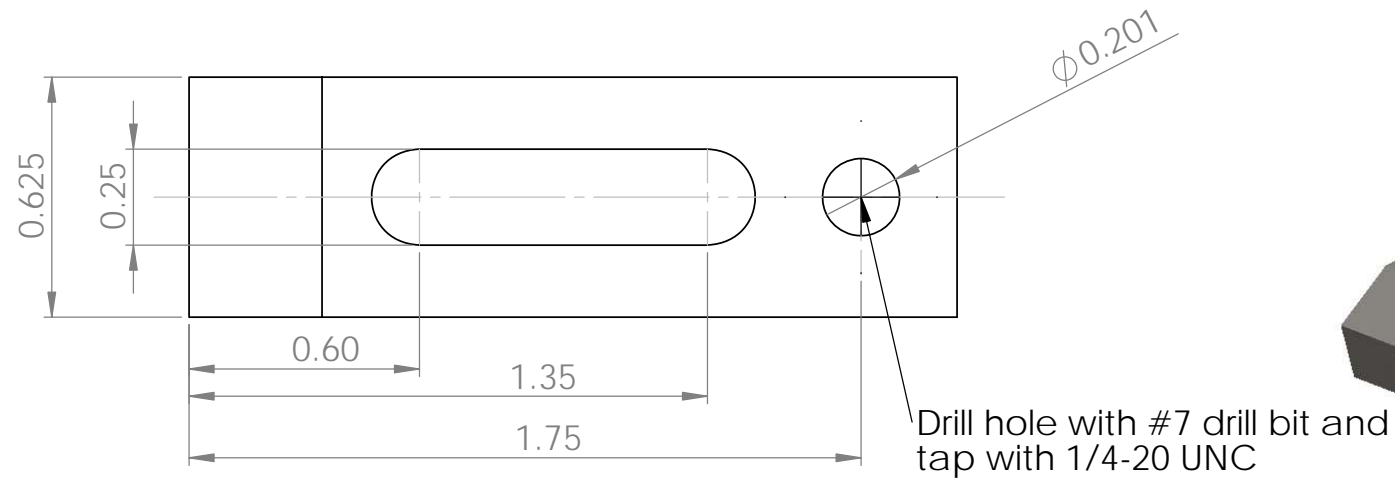
B

A

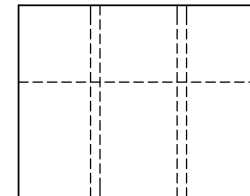
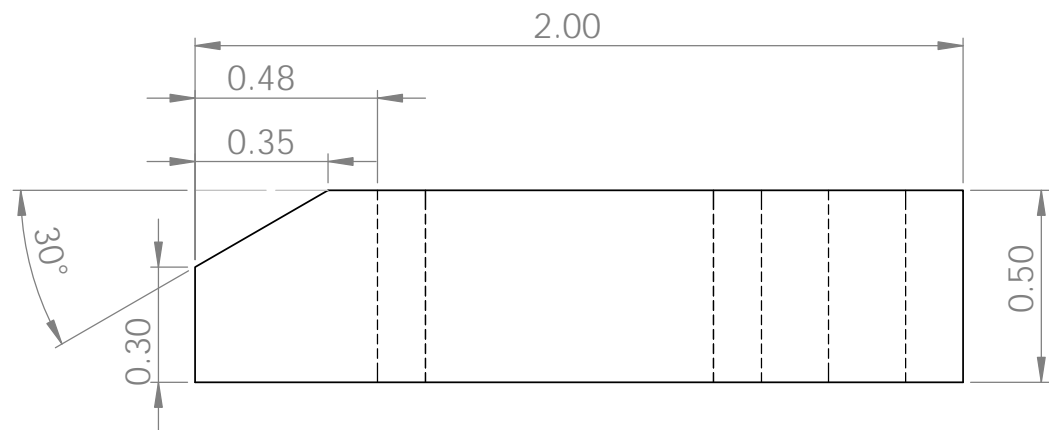
A

UNLESS OTHERWISE SPECIFIED: DIMENSIONS ARE IN INCHES SURFACE FINISH: De-burr TOLERANCES: +/- .010		FINISH: None		DEBURR AND BREAK SHARP EDGES		DO NOT SCALE DRAWING		REVISION		
						Evan Humphreys for Prof. Saliterman				
DRAWN		NAME	SIGNATURE	DATE			TITLE:		BMEN 2151 LATHE PART	
CHK'D		EVAN H								
APPV'D		EVAN H								
MFG		EVAN H								
Q.A		EVAN H			MATERIAL: Al 6061		DWG NO.:		BMENSP19001	
					WEIGHT:		SCALE:2:1		SHEET 1 OF 1	
									A3	

B



B



A

		UNLESS OTHERWISE SPECIFIED:	NAME	DATE	John Adams	
		DIMENSIONS ARE IN INCHES	DRAWN		TITLE: EXERCISE 2 MILL PART JANUARY 12, 2017	
		TOLERANCES:	CHECKED			
		FRACTIONAL ±	ENG APPR.			
		ANGULAR: MACH ± BEND ±	MFG APPR.			
		TWO PLACE DECIMAL ±	Q.A.		SIZE DWG. NO. REV	
		THREE PLACE DECIMAL ±	COMMENTS:			
		INTERPRET GEOMETRIC TOLERANCING PER:			A	
		MATERIAL	Steel 12L14 Low carbon			
NEXT ASSY	USED ON	FINISH			SCALE: 2:1 SHEET 1 OF 1	
APPLICATION		DO NOT SCALE DRAWING				